



# Food Processor Cutter Mixer 7 LT - Variable Speed with UK Plug

ITEM # \_\_\_\_\_

MODEL # \_\_\_\_\_

NAME # \_\_\_\_\_

SIS # \_\_\_\_\_

AIA # \_\_\_\_\_



600547 (K70YVVIG)

\* NOT TRANSLATED \*

## Main Features

- Table-mounted robust cutter and emulsifier allows fast liquidizing, mixing, chopping, mincing, and pastry-making.
- Flat and waterproof control panel with on/off button and pulse function.
- Microswitch and safety devices on handle, lid and bowl.
- Emulsifier function (scraper) included as standard.
- Lid with central opening to add ingredients in mid-cycle.
- All parts in contact with food are removable without the use of tools, completely dismantable and dishwasher safe.
- Pulse function to coarse chopping.
- Base fixed cover for a better handling.
- Productivity suitable for 50-150 meals per service

## Construction

- Variable speed from 300 to 3700 rpm.
- Stainless steel 7 liter bowl has a high chimney to ensure high productivity also when processing liquids (75% of the nominal capacity).
- Microtoothed blades in 420 AISI stainless steel and ergonomic scraper in high resistant composite material to ensure consistent mixing.
- Transparent lid incorporates a magnetic contact safety system.
- Improved ventilation system to manage smoothly heavy duty use.
- Reinforced feet to withstand the repeated handling of the unit.
- Main on/off switch for added safety.
- Main switch ON/OFF on the back of the appliance.

## Included Accessories

- 1 of - NOT TRANSLATED - PNC 650104
- 1 of Stainless steel bowl, 7 lt capacity PNC 653593
- 1 of - NOT TRANSLATED - PNC 653874

## Optional Accessories

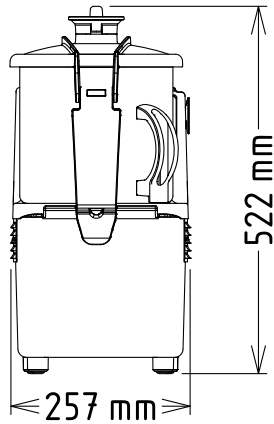
- - NOT TRANSLATED - PNC 650104
- Stainless steel bowl, 7 lt capacity PNC 653593
- - NOT TRANSLATED - PNC 653881
- - NOT TRANSLATED - PNC 653882

APPROVAL: \_\_\_\_\_

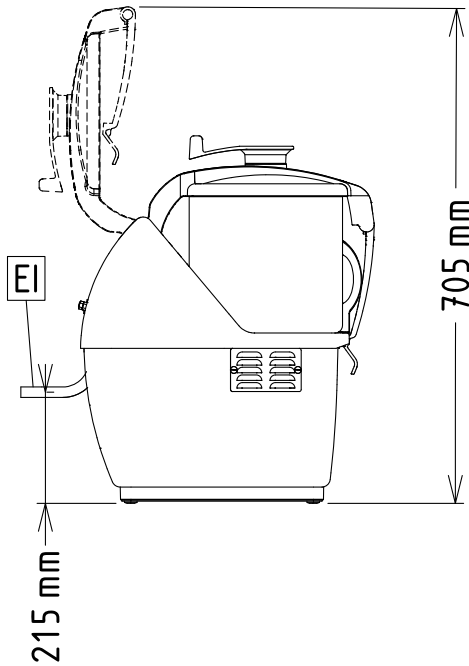


Experience the Excellence  
[www.electroluxprofessional.com](http://www.electroluxprofessional.com)

Front

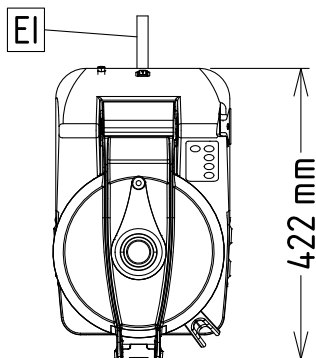


Side



EI = Electrical inlet (power)

Top


**Electric**

Supply voltage:	200-240 V/1N ph/50/60 Hz
Electrical power max.:	1.5 kW
Total Watts:	1.5 kW

**Capacity:**

Performance (up to):	3.5 kg/Cycle
Capacity:	7 litres

**Key Information:**

External dimensions, Width:	256 mm
External dimensions, Depth:	422 mm
External dimensions, Height:	522 mm
Shipping weight:	23 kg
Waterproof index:	IP23